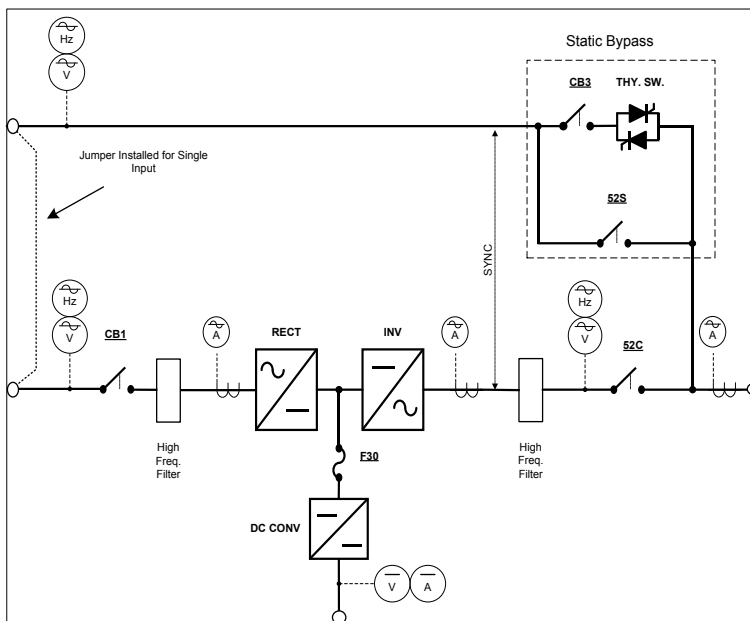


**160 kVA**



**Features at-a-glance**

- Single/Parallel in one box for modular design
- Parallel up to four units
- Redundant Circuitry in each UPS for reliability
- True Online, Double-Conversion Technology
- Dual Input Design (Alternate Input for bypass)
- Hybrid Static Bypass Switch
  - Thyristor + Contactor for highest reliability

- LCD Touch screen Graphic Display
- IGBT Inverter – Next Generation Technology
- All Digital Signal Processor (DSP) software logic using 12 bit processor
- Front Access for Installation and Maintenance.
- Bottom or Side Access for Power cables

- Battery Temperature Compensation
- Generator Compatible 1.1:1
- Monitoring Options
  - RemotEye II (SNMP/Web)
  - MODBUS, BACnet, Metasys adapters
  - Memory Card w/software
  - Programmable Dry Contacts

**G9000 160 kVA UPS Specifications**

**Input Specifications**

Voltage range: 480V, 3Φ, 3W  
 Voltage Range: +15% -20%  
 Frequency range: 60Hz, +/- 10%  
 Power factor: >0.99  
 Input current THD: less than 3% at 100% load  
 Surge protection: Up to 5kA/10kV; Meets EN61643-11

**Battery Specifications**

Cabinets or Racks with DC Breaker  
 Battery type: Sealed Valve Regulated Lead-Acid (VRLA) or Flooded Batteries  
 Recharge time: 10 x discharge time to 95% capacity  
 DC Link: 480VDC Nominal

**Output Specifications: 160 kVA/144 kW (0.9PF)**

Voltage: 480V, 3Φ, 3W  
 Voltage regulation: +/- 1% Max  
 Freq. regulation: +/- 0.01% (Free running)  
 Transient response: +/-2% at 100% load step (recovery in less than 20 ms)  
 Voltage Distortion:  
 Less than 2% for 100% linear load  
 Less than 5% for 100% non-linear load  
 Freq. sync range: +/- 1% to +/- 5.0% (in 1% increments)  
 Freq. slew rate: 1 Hz/s to 5 Hz/s (in 1 Hz/s increments)  
 Voltage adjustment: +/-5% (user selectable)  
 Overload capacity: 150% for 1 minute  
 125% for 2 minutes  
 Crest Factor: 2.3 : 1

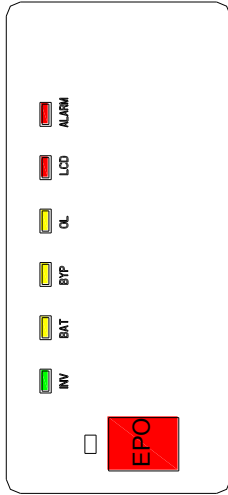
**G9000 160 kVA UPS Specifications (cont.)**

<p><b>Bypass Specifications</b></p> <p>Voltage: 480V, 3Φ, 3W Overload capacity: 1000% for 1 cycle</p>	<p><b>Standards</b></p> <p>UL/CUL 1778 Listed ISO 9001, ISO 14001 ANSI C62.41 (IEEE 587) All cabinets provide for seismic zone 4 mounting FCC Class A, Article 47, Part 15B</p>
<p><b>Environmental Specifications</b></p> <p>Ambient temperature: 0C to +40C Relative humidity: 5%-95% Non-Condensing Altitude: 0 to 7380 feet without derating Audible noise: Less than 69.5 dBA at 1 meter</p>	<p><b>Options</b></p> <p>Toshiba Distribution Cabinet (TDC): MBS and distribution in one line-up-and-match cabinet Slim Matching Maintenance Bypass Cabinet RemotEye II™ Network Adapter MODBUS/BACnet/Metasys Adapter Extended Warranty and Maintenance Agreements (Contact Factory for Details)</p>

**Model # : T90S3S16KS6XSN**

Input			Output		
Input Voltage	Volts	480	Output Voltage	Volts	480
Input Voltage Range	+15% to -20%		Frequency	Hz	60
Minimum	Volts	384	AC Output Current		
Maximum	Volts	552	Nominal Amps	Amps	192
Frequency	Hz	60	2 Minutes Max.	Amps	240
AC Input Current			DC Link		
Nominal Amps	Amps	181	Float Voltage	Volts	545
Maximum Amps <sup>(1)</sup>	Amps	192	End of Discharge	Volts	400
Bypass			Charger	Amps	40
Bypass Input	Volts	480	Environmental		
Nominal Amps	Amps	192	Efficiency	%	96.5
1 Cycle Max.	Amps	1920	Full Load Heat Dissipation		
			BTU/Hr.	17,821	
			kW Loss	5.22	

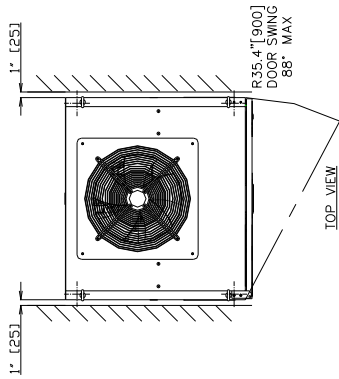
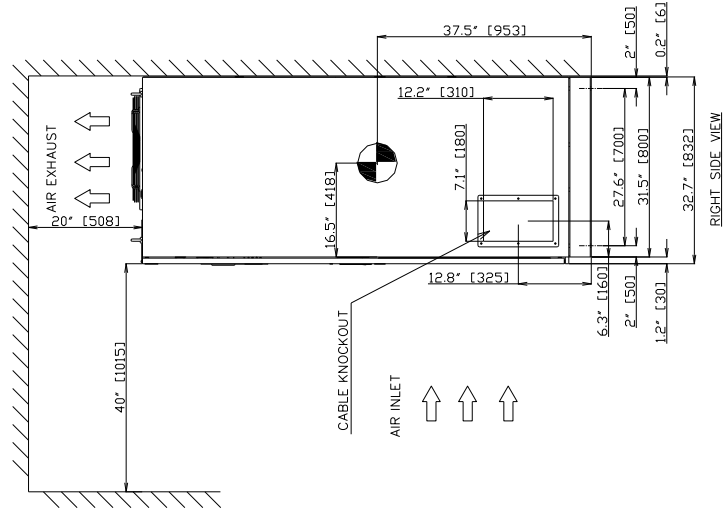
(1) Maximum Amps equals 106% of full load current.



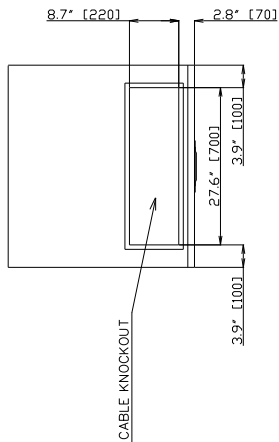
DETAIL "A"

NOTES:

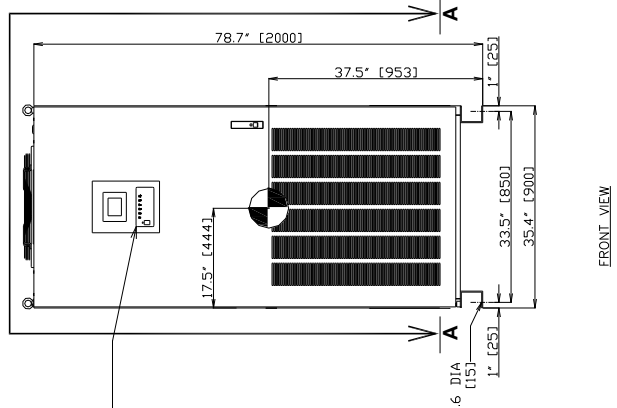
1. DIMENSIONS ARE SHOWN IN INCHES (MILLIMETERS IN BRACKETS [ ]).
2. SIDE CLEARANCE OF 1" [25] IS NOT REQUIRED WITH CABINETS INSTALLED SIDE-BY-SIDE.
3. CABINET SHOULD BE MAINTAINED UPRIGHT WITHIN ±15° DURING MOVING.



TOP VIEW



SECTION A-A



FRONT VIEW

- TYPE : T90S3S16KS6XSXN
- RATING : 160KVA-3P3W-480V-60Hz
- APPROX. WEIGHT : 1,160LBS (528kg)
- HEAT REJECTION : 17.8 kBTUs/hour